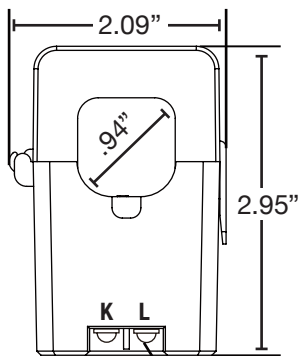


5VDC Output Split Core Current Transformer

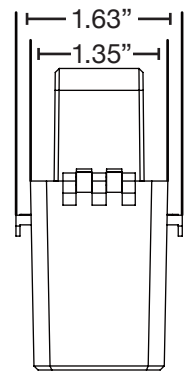
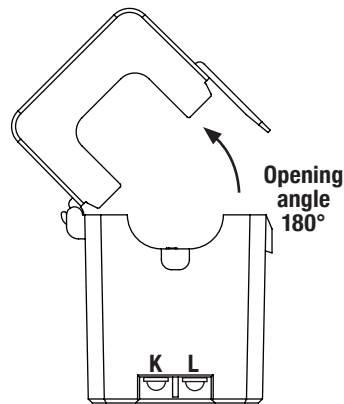


Features

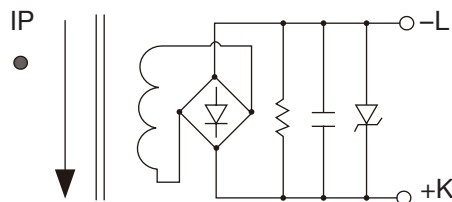
- Hanging installation, Crimping terminal output
- Core material: Silicon steel sheet
- Rated input: 250A
- Output voltage: 1, 3, or 5VDC
- Operating temperature: -25°C to +60°C
- Storage temperature: -30°C to +90°C
- Frequency range: 50Hz-1KHz
- Dielectric strength: 3.5KV 50Hz 1min
- Accuracy: $\pm 2\%$



Front **Output splice terminal**



Side



Voltage output type
Secondary are not allowed to short circuit