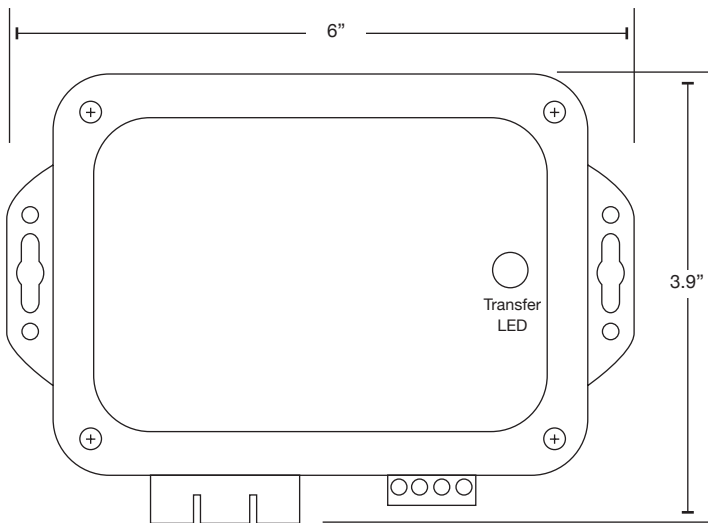


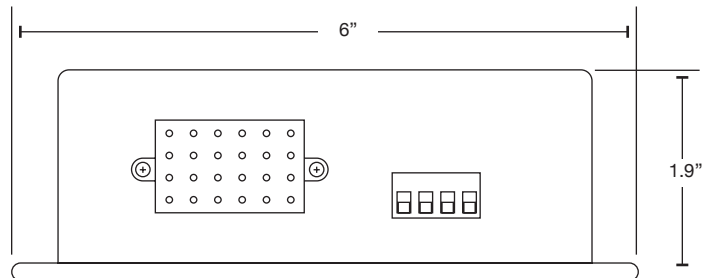
## 3-Phase Kohler® RXT Transfer Switch Expander

### Features

- For 120/208 VAC RXT transfer switches up to 200A
- Daisy chain multiple RXT transfer switches
- Allows use of cost-effective RXT switches for 3-phase application
- Transfer switch control board plug connects directly into the RXT expander
- LED light illuminates upon transfer to generator power
- Maintenance free, requires no batteries or adjustments
- RXT control board can be removed from slave transfer switches
- Small footprint that easily installs in transfer switch enclosure where control board was located
- One unit required for each slave switch being installed
- 2 year warranty



Top View



Side View