

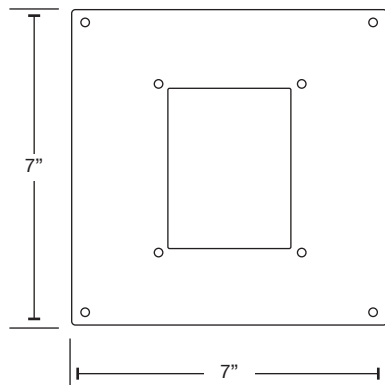


Features

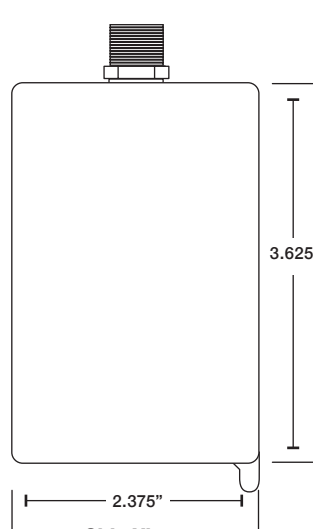
- I_{max}: 60kA or 100kA per phase
- I_n: 20kA
- Thermally fused metal oxide varistor (TFMOV) suppression with added gas discharge tube (GDT) technology
- Real-time per phase LED indicators and audible alarm
- Designed to allow installation inside of electrical box
- NEMA 4X (IP66) indoor/outdoor rated enclosure
- Lifetime warranty

Add-On Items

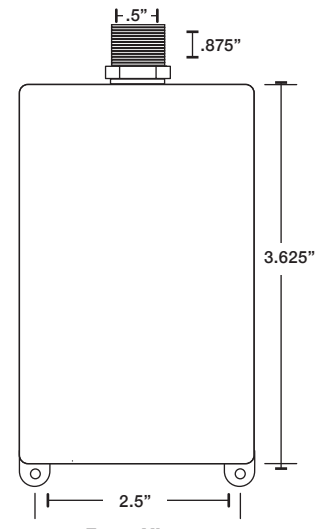
- Flush mount cover – Item# VB-FMC



Flush Mount Cover



Side View



Front View

	VB1-60-4XP	VB1-100-4XP
System Voltage	120/240 VAC 1-Phase	
Maximum Continuous Voltage (MCOV)	150 VAC L-G, 300VAC L-L	150 VAC L-G, 150 VAC L-N, 150 VAC N-G, 300 VAC L-L
Nominal Discharge Current (I_n)	20kA	
Maximum Discharge Current (I_{max})	60kA Per Phase	100kA Per Phase
Voltage Protection Rating (VPR)	700 VAC L-G, 1200 VAC L-L	700 VAC L-G, 700 VAC L-N, 700 VAC N-G, 1200 VAC L-L
Short Circuit Current Rating (SCCR)	200kA	
Suppression Technology	Thermally Fused MOV/Gas Discharge Tube	
Operating Temperature	-40 to +80°C	
Housing-Enclosure Material	Molded Sealed Polycarbonate	
Mounting Type	Nipple/Wall Mounting	
Environmental Rating	NEMA 4X - Indoor/Outdoor	
Connection Type	Lead Length: 18" / #12 AWG	
Standards, Compliance or Recognition	UL 1449 5th Edition Type 1 Listed, UL Listed to US and Canadian Safety Standards	